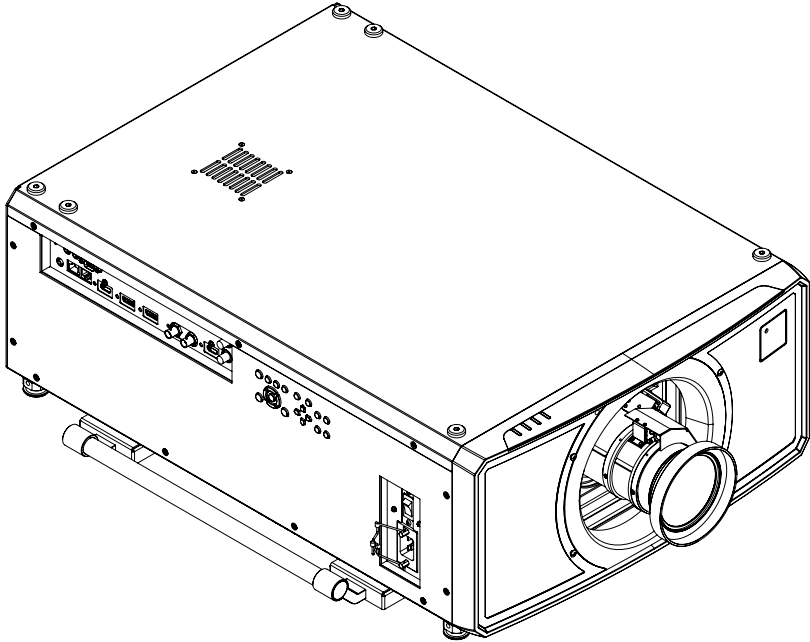


M-Vision Laser 21000 WU

Important Information



Digital Projection

Digital Projection Limited

Greenside Way, Middleton
Manchester M24 1XX, UK

Registered in England No. 2207264

Registered Office: as above

Tel (+44) 161 947 3300

Fax (+44) 161 684 7674

enquiries@digitalprojection.co.uk

service@digitalprojection.co.uk

www.digitalprojection.co.uk

Digital Projection Inc.

55 Chastain Road, Suite 115
Kennesaw, GA 30144, USA

Tel (+1) 770 420 1350

Fax (+1) 770 420 1360

powerinfo@digitalprojection.com

www.digitalprojection.com

Digital Projection Japan

〒105-0012 東京都港区芝大門2-1-14

2-1-14 Shibadaimon, Minato-ku,
Tokyo, Japan 105-0012

japan@digitalprojection.co.uk

www.digitalprojection.com/jp

Digital Projection Korea

1511, Byucksan Digital Valley 6-cha,
Gasan-dong, Geumcheon-gu,
Seoul, Korea

Tel +82 2 515 5303 #1417

Korea@digitalprojection.co.uk

Digital Projection India

india@digitalprojection.co.uk

Digital Projection China

中国 北京市 朝阳区 芍药居北里101号
世奥国际中心A座2301室(100029)

Rm A2301

ShaoYaoJu 101 North Lane

Shi Ao International Center

Chaoyang District

Beijing 100029, PR CHINA

Tel (+86) 10 84888566

Fax (+86) 10 84888566-805

techsupport@dp-china.com.cn

www.dp-china.com.cn

Digital Projection Asia

16 New Industrial Road
#02-10 Hudson Technocentre
Singapore 536204

Tel (+65) 6284-1138

Fax (+65) 6284-1238

www.digitalprojectionasia.com

Digital Projection Taiwan

186 Ruey Kuang Rd, Neihu District,
Taipei, 114 Taiwan

Tel +886-8797-2088 x8854

Taiwan@digitalprojection.co.uk

Digital Projection FZE

Unit B4, Light Industrial Units 4,
Silicon Oasis, Dubai, UAE

Tel +971 43300800

enquiries@digitalprojection.co.uk

www.digitalprojection.com

Super High Brightness Digital Video Projector

Important Information

Contents

Symbols used in the User Manual.....	4
Electrical and physical specifications.....	5
Laser precautions.....	5
Product labels.....	6
<i>Label locations</i>	7
Location of laser aperture.....	8
Interlock switches.....	8
General precautions.....	9
Installation precautions.....	10
Light hazard warning.....	11
<i>Light hazard labels used on the body of the projector</i>	12
Operation and configuration precautions.....	13
Compliance with international standards.....	13
<i>RF Interference</i>	13
<i>Noise</i>	13
<i>European Waste Electrical and Electronic Equipment (WEEE) Directive</i>	13
Basic Operation Instructions.....	14
<i>Positioning the screen and projector</i>	14
<i>Stacking instructions</i>	15
<i>Connecting the power supply</i>	18
<i>Switching the projector on</i>	18
<i>Switching the projector off</i>	19
<i>Selecting an input signal</i>	19
<i>Selecting a test pattern</i>	19
<i>Adjusting the lens</i>	20
<i>Adjusting the image</i>	20
<i>Inserting a new lens</i>	21
<i>Removing the lens</i>	22
<i>Fitting a lens hood</i>	23
Control Panel Reference.....	24
<i>Projector indicators</i>	26
Remote Control Reference.....	27

Full information about operating, connecting and setting up the projector can be found in the User Manual, located on the CD.

Symbols used in the User Manual



LASER WARNING: this symbol indicates that there is a potential hazard of eye exposure to laser radiation unless the instructions are closely followed.



LIGHT HAZARD WARNING: this symbol indicates that there is a danger of exposure to intensive light that may result in personal injury unless the instructions are closely followed.



ELECTRICAL WARNING: this symbol indicates that there is a danger of electrical shock unless the instructions are closely followed.



WARNING: this symbol indicates that there is a danger of physical injury to yourself and/or damage to the equipment unless the instructions are closely followed.



NOTE: this symbol indicates that there is some important information that you should read.



Specifications are subject to change without notice.

Electrical and physical specifications

Main Voltage	110-240 VAC 50/60Hz		
Operating Temperature	0°C to 40°C (32 F to 104 F)		
	40°C to 45°C (104 F to 113 F) with reduced light output		
Storage Temperature	-20°C to 60°C (-4 F to 140 F)		
Operating Humidity	10% to 90% non-condensing		
Dimensions:	W 748 mm (29.4 in), H 248 mm (9.8 in), D 530 mm (20.9 in)		
Weight	54 kg (119 lb) without lens		
Power Consumption	at 110 VAC:	typical 1250 W in Normal mode typical 1000 W in Eco mode	
	at 240 VAC:	typical 1900 W in Normal mode typical 1200 W in Eco mode	
	Thermal Dissipation	at 110 VAC:	typical 4334 BTU/hr in Normal mode typical 3412 BTU/hr in Eco mode
		at 240 VAC:	typical 4146 BTU/hr in Normal mode typical 3276 BTU/hr in Eco mode

Laser precautions



CLASS 3R LASER PRODUCT

This Laser Product is designated as Class 3R during all procedures of operation.

LASER LIGHT - AVOID DIRECT EYE EXPOSURE.

Do not point laser or allow laser light to be directed or reflected toward other people or reflective objects.

Direct or scattered light can be hazardous to eyes and skin.

There is a potential hazard of eye exposure to laser radiation if the included instructions are not followed.

Caution – use of controls or adjustments or performance of procedures other than those specified herein may result in hazardous radiation exposure.

Laser Parameters:

Wavelength 450nm - 460nm
 Mode of operation Pulsed, due to frame rate
 Pulse duration 0.93ms
 Pulse repetition rate 240Hz
 Maximum laser energy 0.48mJ
 Total internal power 240Wmax

Product labels

DIGITAL PROJECTION

DLP PROJECTOR / DLP Projector (數位投影機 / 数字投影机)

Model/Modèle(型號 / 型号) : M-Vision Laser 21000-WU

AC Input / Entrée CA(輸入 / 輸入) : 200-240V ~ 50/60Hz 9.3A

AC Input / Entrée CA(輸入 / 輸入) : 110-130V ~ 50/60Hz 11.7A

Caution : Do not open the cover. No user-serviceable parts inside
Avertissement : ne pas ouvrir le couvercle. Le produit ne contient aucune pièce interne réparable par l'utilisateur.

警告 : 請勿打開外殼。設備內無服務性維修之元件
警告 : 請勿打開外殼。設備內無服務性維修之元件

UL LISTED
E134786
PROJECTOR

M-Vision User Guides

Follow link for Projector Documentation
 Suivez le lien pour accéder à la documentation du projecteur
 Product documentation link/en lien sous deux liens
 下の二つのパソコンコードをクリックしてプロジェクターのデータを取ってください
 請自備網路取得投影機之文件
 請按左列網址取得投影機之文件 查詢管理 管理 管理 管理 管理 管理 管理

製造商: 亞路科拉
 公司地址: R&R-DVP-Laser2 1000-WU
 KTL ZU10002-18000
 製造日期: 2015/09/03
 製造地點: 中國廣東省
 製造商: 492 2 916 5209
M-Vision Laser 21000-WU

Complies with FDA performance standards for laser products except for deviations pursuant to Laser Notice No. 50, dated June 24, 2007.
 This device complies with part 15 of the FCC rules. Operation is subject to the following two conditions:
 (1) this device may not cause harmful interference, and
 (2) this device must accept any interference received, including interference that may cause undesired operation.

CAN ICES-3(A)/NMB-3(A)

警告使用者:
 這是甲類的資訊產品，在居住的環境中使用時，可能會造成射頻干擾。在這種情況下，使用者會被要求採取某些適當的對策。

警告使用者: 此為A級產品，在生活環境中，該產品可能會造成無線電干擾。在這種情況下，可能需要用戶對干擾採取切實可行的措施。

製造商: Digital Projection Limited
 GreenSIDE Way Middleton Manchester, M24 1XX UK
 製造地: 中國 / 製造地: 中國 / Made in China / 3204652301 WJ XXXXX

1 Manufacturer's ID Label

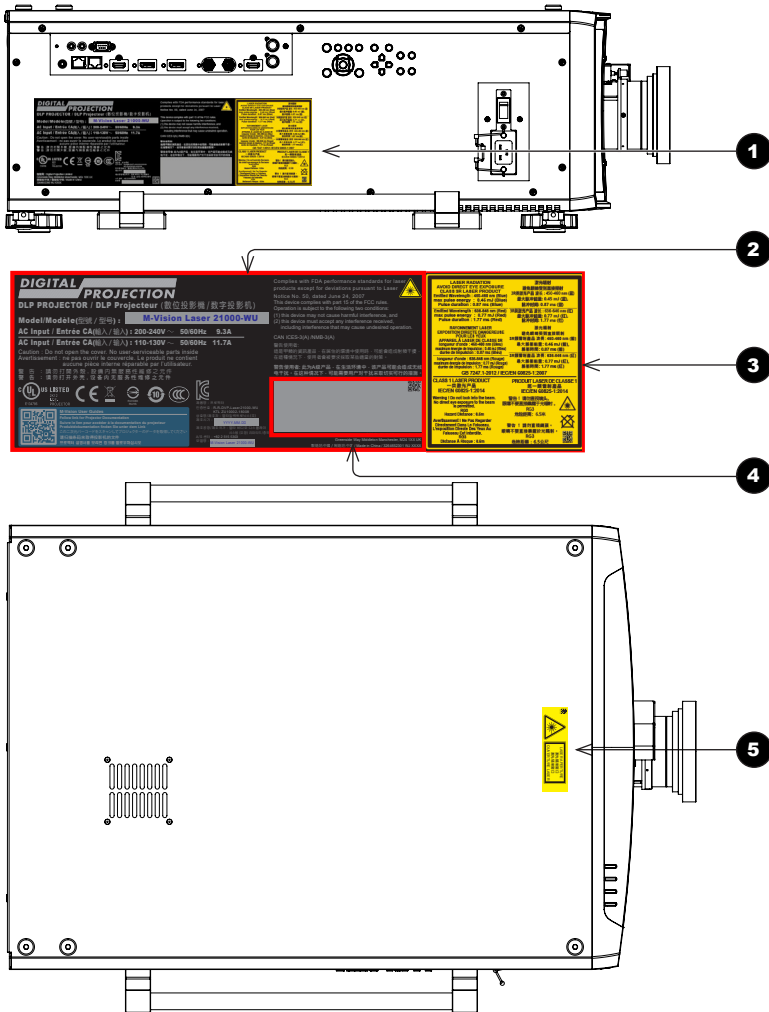
<p>LASER RADIATION AVOID DIRECT EYE EXPOSURE CLASS 3R LASER PRODUCT Emitted Wavelength: 463-469 nm (Blue) max. pulse energy: 0.46 mJ (Blue) Pulse duration: 0.87 ms (Blue)</p> <p>Emitted Wavelength: 636-646 nm (Red) max. pulse energy: 0.77 mJ (Red) Pulse duration: 1.77 ms (Red)</p> <p>RAYONNEMENT LASER EXPOSITION DIRECTE DANGEREUSE POUR LES YEUX APPAREIL À LASER DE CLASSE 3R longueur d'onde: 463-469 nm (bleu) maximum énergie de impulsion: 0.46 mJ (bleu) durée de l'impulsion: 0.87 ms (bleu)</p> <p>longueur d'onde: 636-646 nm (rouge) maximum énergie de impulsion: 0.77 mJ (rouge) durée de l'impulsion: 1.77 ms (rouge)</p> <p>GB 7247.1-2012 / IEC60825-1:2007</p> <p>CLASS 3 LASER PRODUCT 一類激光產品 IEC60825-1:2014</p> <p>Warning! Do not look into the beam. No direct eye exposure to the beam is permitted. RG3 Hazard Distance: 6.5m</p> <p>Avertissement! Ne Pas Regarder Directement Dans Le Faisceau. L'exposition Directe Des Yeux Au Faisceau Est Interdite. RG3 Distance À Risque: 6.5m</p>	<p>激光輻射 避免眼睛受到直接照射 3R類雷射產品 波長: 463-469 nm (藍) 最大脈沖能量: 0.46 mJ (藍) 脈沖時間: 0.87 ms (藍)</p> <p>3R類雷射產品 波長: 636-646 nm (紅) 最大脈沖能量: 0.77 mJ (紅) 脈沖時間: 1.77 ms (紅)</p> <p>激光輻射 避免眼睛受到直接照射 3R類雷射產品 波長: 463-469 nm (藍) 最大脈沖能量: 0.46 mJ (藍) 脈沖時間: 0.87 ms (藍)</p> <p>3R類雷射產品 波長: 636-646 nm (紅) 最大脈沖能量: 0.77 mJ (紅) 脈沖時間: 1.77 ms (紅)</p> <p>GB 7247.1-2012 / IEC60825-1:2007</p> <p>PRODUIT LASER DE CLASSE 3 第三類雷射產品 IEC60825-1:2014</p> <p>警告! 請勿直視光束。 眼睛不要直接接觸雷射光輸出。 RG3 危險距離: 6.5M</p> <p>警告! 請勿直視光束。 眼睛不要直接接觸雷射光輸出。 RG3 危險距離: 6.5公尺</p>
--	--

2 Explanatory Label and Certification Statement Label

LASER APERTURE
 激光輻射窗口
 激光輻射窗口
OUVERTURE LASER

3 Hazard Warning Symbol and Aperture Label

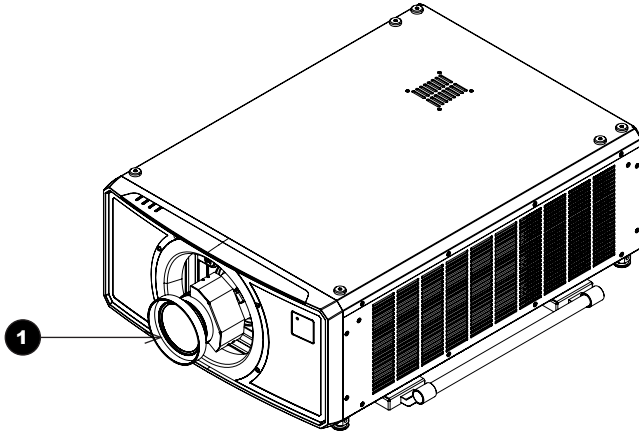
Label locations



- 1** Location of Manufacturer's ID Label, Certification Statement Label and Explanatory Label on the projector
- 2** Manufacturer's ID Label (manufacturer's name, address and projector model)
- 3** Certification Statement Label and Explanatory Label
- 4** Serial number
- 5** Location of Hazard Warning Symbol and Aperture Label on the body of the projector

Location of laser aperture

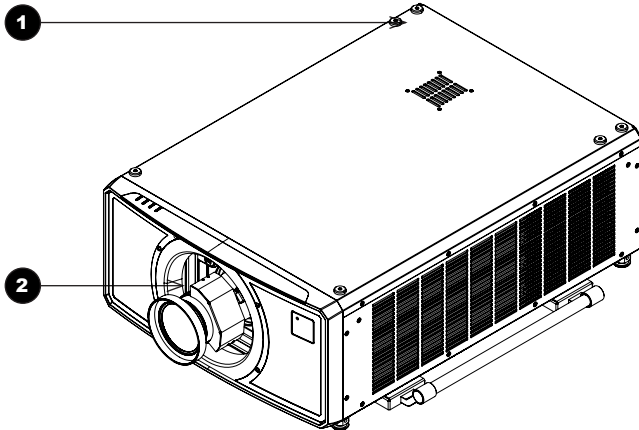
The laser aperture is located as indicated below.



- 1** Laser aperture

Interlock switches

Two interlock switches installed at the main frame, inside the cover, will power-off the system individually when activated.



- 1** Will be activated when the top cover is removed.
2 Will be activated when the projection lens is removed.

General precautions



- The unit is never to be operated if the unit is defective or the cover or seal is damaged.**
- No maintenance allowed by end user.**
- Do not open the cabinet. There are no user serviceable parts inside.**
- No service is allowed except by authorized personnel.**
- Use only the power cable provided.**
- Ensure that the power outlet includes a Ground connection, as this equipment **MUST** be earthed.**
- Take care to prevent small objects such as paper or wire from falling into the projector. If this does happen, switch off immediately, and have the objects removed by authorised service personnel.**
- Do not expose the projector to rain or moisture, and do not place any liquids on top of the projector.**
- Unplug before cleaning, and use a damp, not wet, cloth.**
- Do not touch the power plug with wet hands.**
- Do not touch the power plug during a thunder storm.**
- Handle the power cable carefully and avoid sharp bends. Do not use a damaged power cable.**



- Do not touch the ventilation outlets, as they will become hot in use.**
- Do not cover or obstruct the ventilation outlets or inlets.**
- Do not cover the lens whilst the projector is switched on. This could cause a fire**
- Never use strong detergents or solvents such as alcohol or thinners to clean the projector and lens.**

Installation precautions



Connect the LAN cable only to a computer LAN connection. Other similar connectors may have a dangerously high voltage source.

The projector must be installed only by suitably qualified personnel, in accordance with local building codes.

The projector should be installed as close to the power outlet as possible.

The power connection should be easily accessible, so that it can be disconnected in an emergency.

Ensure that there is at least 50cm (19.7in) of space between the ventilation outlets and any wall, and 30cm (11.8in) on all other sides.

Do not install the projector close to anything that might be affected by its operational heat, for instance, polystyrene ceiling tiles, curtains etc.

Place the projector in a dry area away from sources of dust, moisture, steam, smoke, sunlight or heat.

The projector is heavy. Use safe handling techniques when lifting the projector.

Do not drop or knock the projector.

Before installation, make sure that the surface, ceiling or rigging that is to support the projector is capable of supporting the combined weight of the projector and lens.

When stacking projectors, the stack **MUST** be vertical, to ensure that the stresses are distributed to all four chassis corners.

Do not stack more than 2 projectors.

Do not use the provided eye bolts to suspend more than one projector. The eye bolts must not be used with stacks as they can carry the weight of one projector only.

Do not use the lifting handles when stacking. The handles will carry the weight of one projector only.

Do not place heavy objects on top of the projector chassis. Only the chassis corners and the optional rigging frame are capable of withstanding the weight of another projector.

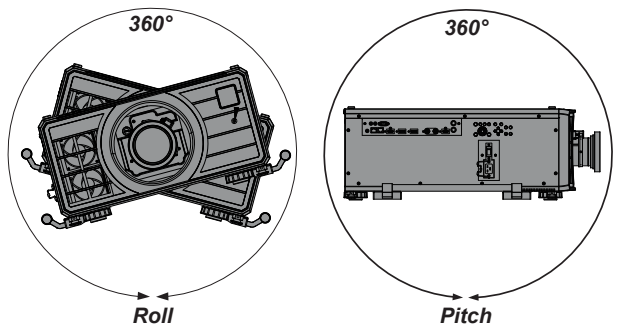
Backup safety chains or wires should always be used with ceiling mount installations.

The projector can be operated in any position, as shown in the illustration. However, the following positions are to be avoided as they can reduce motor life:

- Lens facing down
- Inputs and outputs facing up.

FDA regulations require that a lens Hood is permanently fitted when

using the 4.16-6.96:1 lens with the projector in the United States of America. Fitting can be provided by your reseller or System Integrator.





When using projectors in environments with third party high power laser systems avoid direct laser beams pointing towards the projection lens. This may cause incident light to converge into the optical engine and cause damage to the DLP DMD.

Please pay attention to projector installation with respect to other staging laser light equipment set-up. These systems can cause permanent damage to the DMD imaging devices used in our projectors. This damage is not covered by our warranty.

Make sure the lens cap is removed from the rear of the lens before it is inserted into the projector.

Make sure the lens caps are removed from the lens before operating the projector. Light energy levels this have been known to cause damage to both the lens and projector optics. This damage is not covered by our warranty.

Light hazard warning



Failure to comply with the following may result in serious injury:

- No direct exposure to the beam is permitted, RG3 IEC 62471-5:2015.
- Operators control access to the beam within the hazard distance or install the projector at sufficient height to prevent exposures of spectators' eyes within the hazard distance.

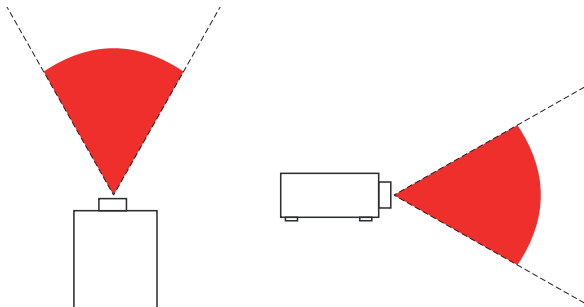


Fig. 1: hazard distance

The **hazard distance (Fig. 1)** is the distance measured from the projection lens at which the intensity or energy per unit of surface is lower than the applicable exposure limit on the cornea or skin. If the person is within the hazard distance, the beam is considered unsafe for exposure.

The hazard distance for this projector is 6.5 m.

Light hazard labels used on the body of the projector

Light hazard labelling is part of the product label.

1 Product label



2 Risk Group 3 label

3 Hazard Warning symbol

4 Not For Home Use logo

Operation and configuration precautions



Do not make changes to the networking configuration unless you understand what you are doing, or have taken advice from your Network Manager. If you make a mistake, it is possible that you will lose contact with the projector. Always double-check your settings before pressing the APPLY button. Always keep a written note of the original settings, and any changes you have made.

Software update should NOT be carried out except by, or with the supervision of, Digital Projection Service personnel.

Compliance with international standards



RF Interference

FCC

The Federal Communications Commission does not allow any modifications or changes to the unit EXCEPT those specified by Digital Projection in this manual. Failure to comply with this government regulation could void your right to operate this equipment.

This equipment has been tested and found to comply with the limits for a Class A digital device, pursuant with Part 15 of the FCC Rules. These limits are designed to provide reasonable protection against harmful interference when the equipment is operated in a commercial environment. This equipment generates, uses, and can radiate radio frequency energy and, if not installed and used in accordance with the instruction manual, may cause harmful interference to radio communications. Operation of this equipment in a residential area may cause harmful interference, in which case the user will be responsible for correcting any interference.

Noise

GSGV Acoustic Noise Information Ordinance

The sound pressure level is less than 47 dB (A) according to ISO 3744 or ISO 7779.

European Waste Electrical and Electronic Equipment (WEEE) Directive



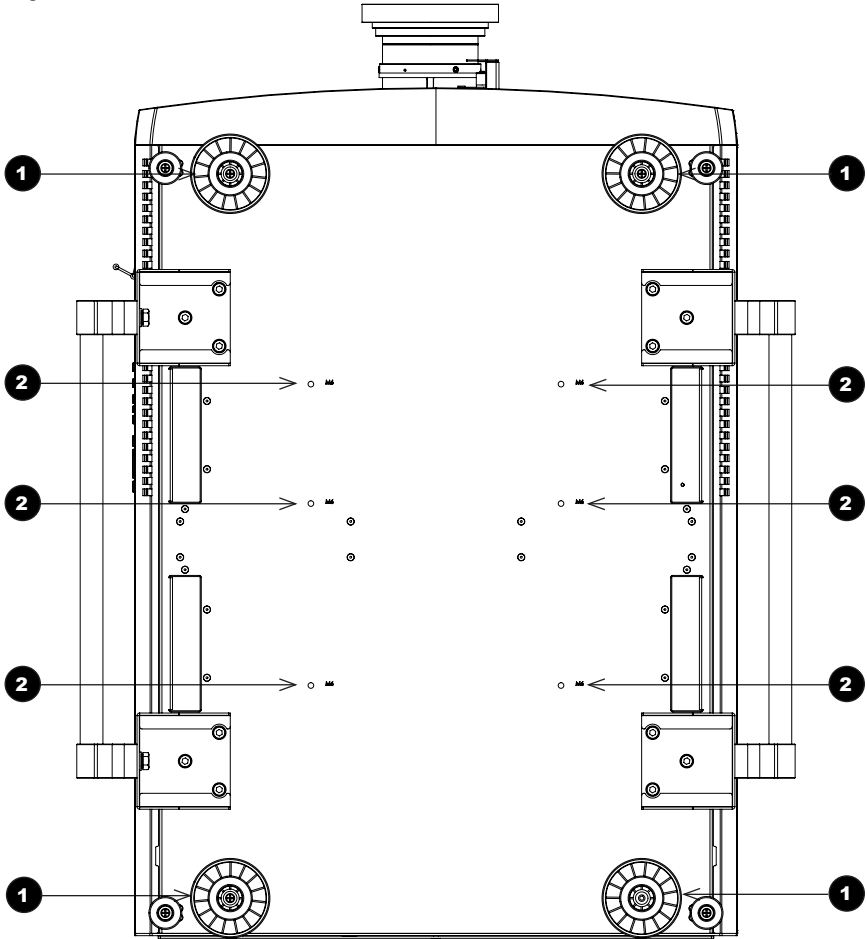
Digital Projection Ltd is fully committed to minimising Waste Electrical and Electronic Equipment. Our products are designed with reuse, recycling and recovery of all components in mind. To this end, at end of life, your projector may be returned to Digital Projection Ltd or its agent so that the environmental impact can be minimised.

Basic Operation Instructions

Positioning the screen and projector

1. Install the screen, ensuring that it is in the best position for viewing by your audience.
2. Mount the projector, ensuring that it is at a suitable distance from the screen for the image to fill the screen. Set the adjustable feet so that the projector is level, and perpendicular to the screen.

The drawing below shows the positions of the feet for table mounting, and the fixing holes for ceiling mounting.



1 Four adjustable feet

2 Six M6 holes for ceiling mount
The screws should not penetrate more than 15 mm into the body of the projector.

Stacking instructions



When stacking projectors, the stack **MUST** be vertical, to ensure that the stresses are distributed to all four chassis corners.

Do not stack more than two projectors.

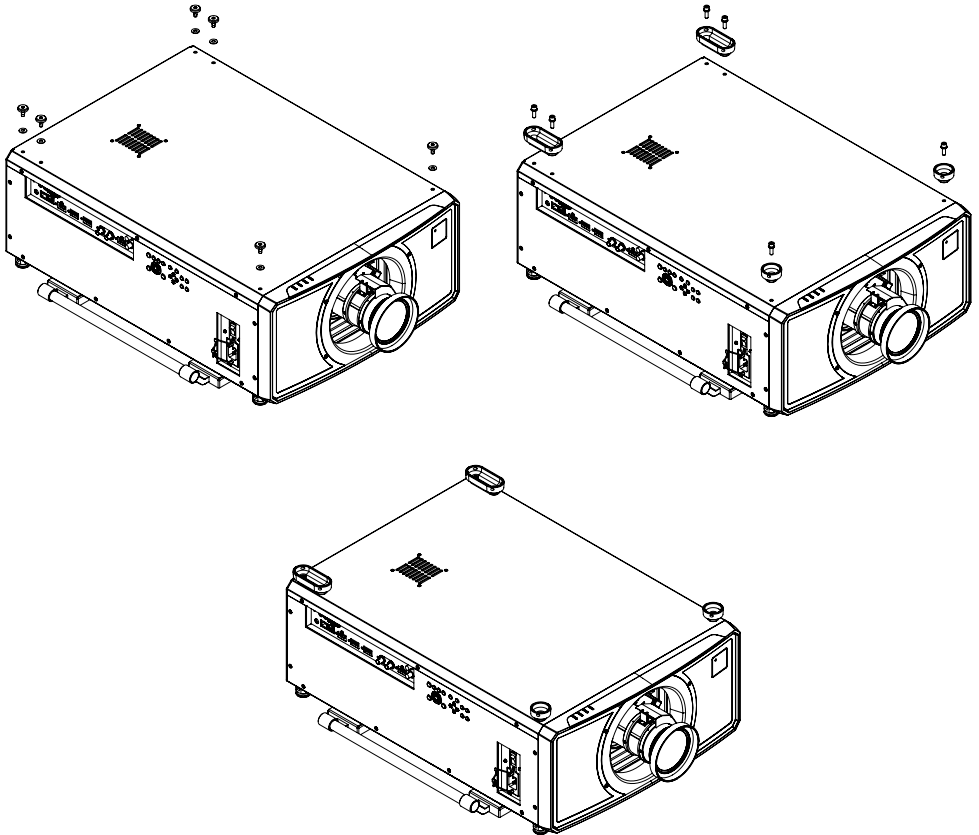
Do not use the provided eye bolts to suspend more than one projector. The eye bolts must not be used with stacks as they can carry the weight of one projector only.

Do not use the lifting handles when stacking. The handles will carry the weight of one projector only.

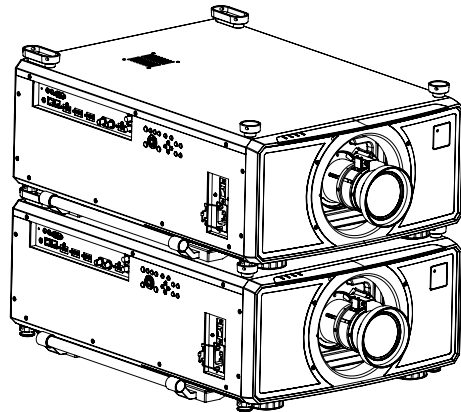
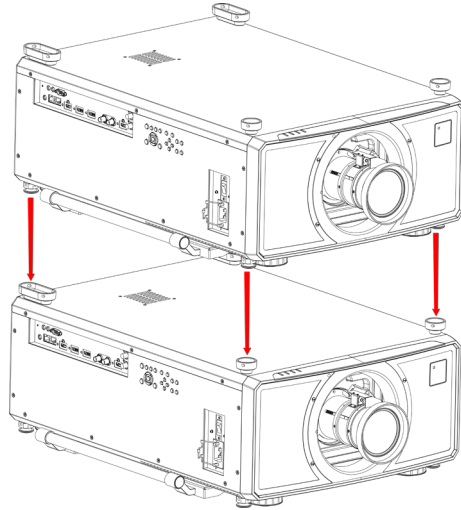
Use only the provided screws with a torque of 25-30 kgf cm (2.45 - 2.94 Nm).

It is the customer's responsibility to ensure that the assembly is carried out securely.

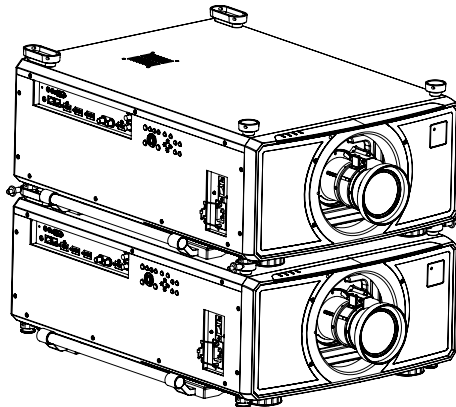
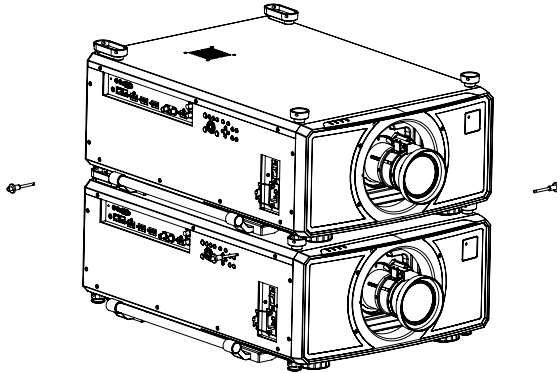
1. On the bottom projector, remove the four screws on the top side. Insert and secure the stacking tops in their place.



2. Remove the four adjustable feet of the top projector.
3. Slide the top projector over the bottom projector so the stacking feet are coupled with the stacking tops on the bottom projector.

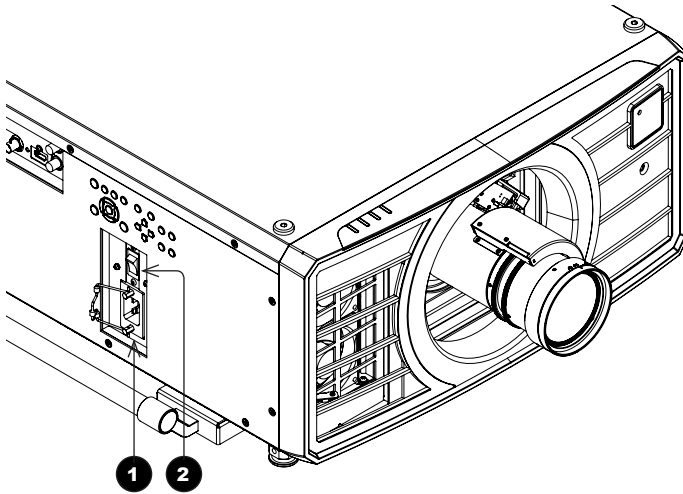


4. Use the provided holding pins to secure each connection.



Connecting the power supply

Firmly push the mains connector into the **socket 1**, then press the **ON/OFF switch 2**.



Use only the power cable provided.

Ensure that the power outlet includes a ground connection as this equipment **MUST** be earthed.

Handle the power cable carefully and avoid sharp bends. Do not use a damaged power cable.

Switching the projector on

1. Connect the power cable between the mains supply and the projector. Switch on at the switch next to the power connector. (See **Connecting the power supply** above.)
2. The **POWER** indicator lights red to signal that the projector is in STANDBY mode. Press one of the following buttons:
 - On the remote control, the **ON** button
 - On the projector control panel, the **POWER** button.

The fans begin working, then the **POWER** indicator begins flashing green. When the flashing stops, the **POWER** and **LIGHT** indicators both light steady green. The projector is switched on.

Switching the projector off

1. Press **OFF** on the remote control or **POWER** on the control panel, then press again to confirm your choice.

The **POWER** indicator on the control panel will start flashing amber, the projected image will turn off and the cooling fans will run for a short time until the **POWER** indicator goes steady red to indicate that the projector has entered STANDBY mode.

2. If you need to switch the projector off completely, switch off at the mains power switch next to the power connector and then disconnect the power cable from the projector.

Selecting an input signal

1. Connect one or more image sources to the projector.
2. Select the input you want to display:
 - Press one of the input buttons on the remote control.
 - Alternatively, open the On-screen display (OSD) by pressing **MENU**. Highlight **Input** from the main menu, press **ENTER/OK** and then select an input signal using the **UP** and **DOWN** arrow buttons. Press **ENTER/OK** to confirm your choice.

Selecting a test pattern

To display a test pattern:

- Press **TEST** on the remote control. If necessary, press again to change the test pattern. Test patterns are displayed in the following order:

White, Black, Red, Green, Blue, Checkerboard, CrossHatch, V Burst, H Burst, ColorBar, Plunge, Off

After the final test pattern, the projector exits test pattern mode and returns to the main image. To view test patterns again, you need to press **TEST** again.

- Alternatively, open the OSD by pressing **MENU**. Highlight **Test Patterns** from the main menu, then select a test pattern using the **LEFT** and **RIGHT** arrow buttons.

Adjusting the lens

The lens can be adjusted using the **Lens** menu, or using the lens buttons on the remote control.

Lens menu

The **Lens** menu provides access to the **Lens Control** setting and the **Center Lens** command.

Lens Control allows **Zoom**, **Focus** and **Shift** adjustment using the arrow buttons. The setting operates in **Zoom/Focus Adjustment** and **Shift Adjustment** mode.

Press **ENTER/SELECT** to switch between the two modes.

Remote control

Use the remote control to adjust zoom, focus and shift directly, without opening a menu:

- **OK** enters lens control, then switches between **Zoom/Focus Adjustment** and **Shift Adjustment**.
- **EXIT** exits lens control and opens the **Lens** menu.
- **MENU** exits lens control and returns to the main image.
- The arrow buttons adjust zoom, focus and shift as indicated on the screen.

Adjusting the image

Orientation

- This can be set from the **Setup** menu.

Choose from **Front Tabletop**, **Front Ceiling**, **Rear Tabletop**, **Rear Ceiling** and **Auto-front**.

Keystone

- This can be set from the **Geometry** menu.

Picture

- Settings such as **Gamma**, **Brightness**, **Contrast**, **Saturation**, **Hue** and **Sharpness** can be set from the **Image** menu.

Inserting a new lens



Before changing the lens, always make sure the projector is switched off and fully disconnected from its power supply.



When changing the lens, avoid using excessive force as this may damage the equipment.



The lens is shipped separately.

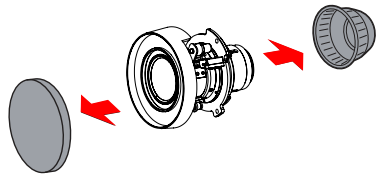


Take care to preserve the original lens packaging and protective caps for future use.

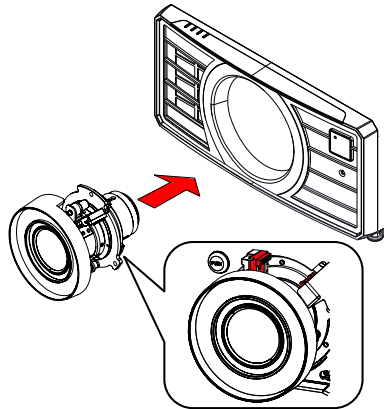


The projector will not power on without the lens fitted.

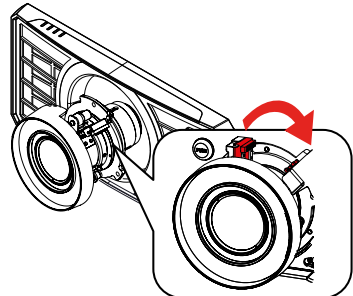
1. Remove the lens cover.



2. Insert the lens, keeping the connector in upright position.



3. Rotate the lens clockwise until it clicks into place.



Removing the lens



Before changing the lens, always make sure the projector is switched off and fully disconnected from its power supply.



When changing the lens, avoid using excessive force as this may damage the equipment.



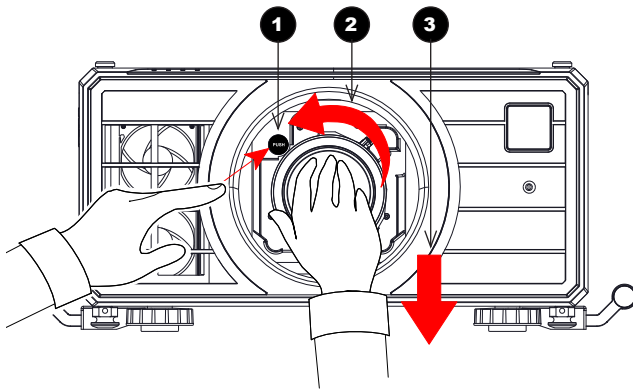
The lens is shipped separately.



Take care to preserve the original lens packaging and protective caps for future use.



The projector will not power on without the lens fitted.



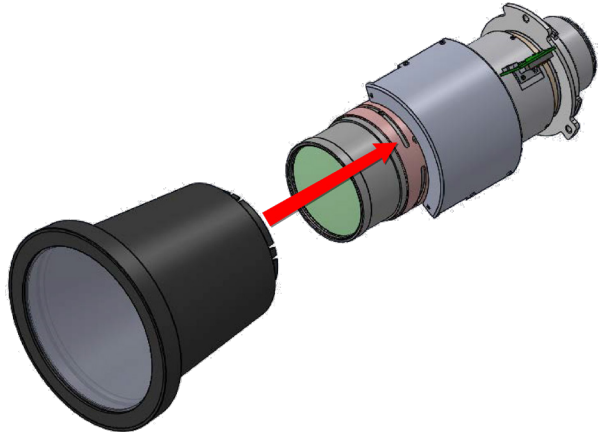
1. Push the **button 1** all the way in.
2. Rotate the lens **counterclockwise 2** until it disengages.
3. Slowly **pull the lens out 3**.

Fitting a lens hood

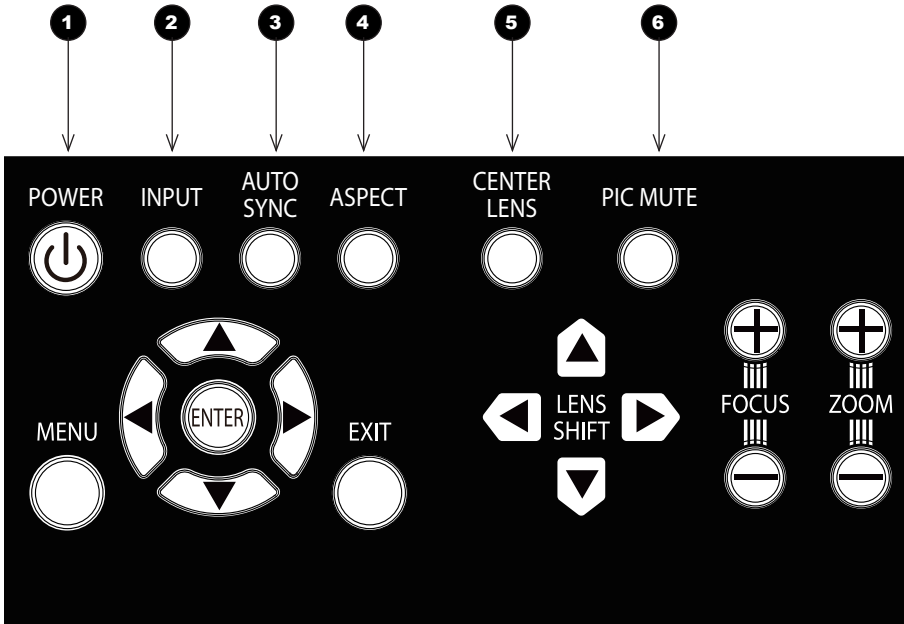


FDA regulations requires that a lens Hood is permanently fitted when using the 4.16-6.96:1 lens with the projector in the United States of America. Fitting can be provided by your reseller or System Integrator.

1. Push-fit the lens hood onto the lens.

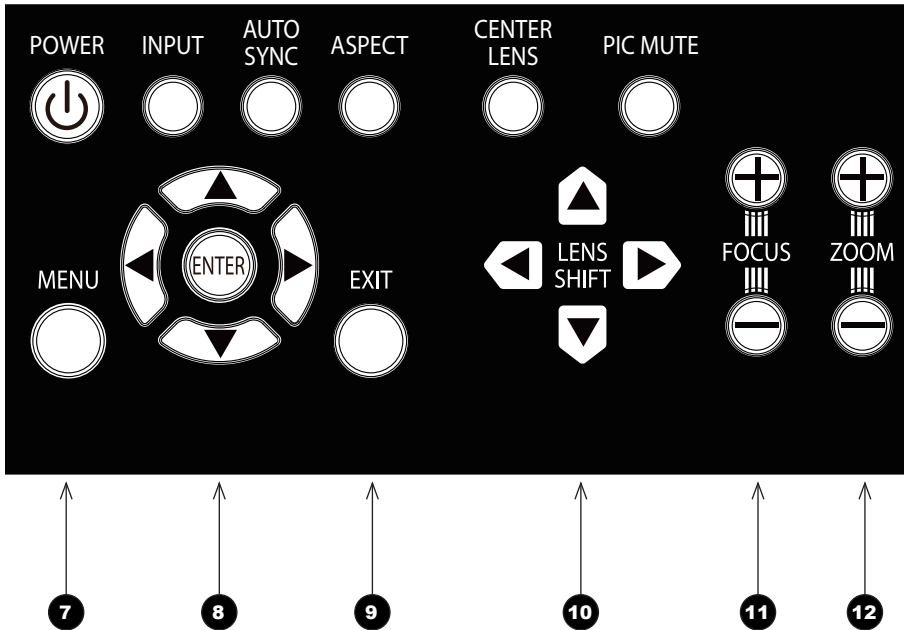


Control Panel Reference



AUTO SYNC and ASPECT do not work when the projector uses HDMI 3 or 4.

- 1** **POWER**
Switches the projector on and off (STANDBY).
- 2** **INPUT**
Switches to the next input source.
- 3** **AUTO SYNC**
Re-synchronises with the current input signal.
- 4** **ASPECT**
Changes the aspect ratio.
- 5** **CENTER LENS**
Centers the lens.
- 6** **PIC MUTE**
Switches the laser off/on.



- 7** **MENU**
Displays and exits the OSD.
- 8** **Arrow buttons & ENTER**
Navigation buttons used to highlight menu entries in the OSD. Press **ENTER** to open or execute the highlighted menu entry.
- 9** **EXIT**
Exits the current OSD page and enters the level above.
- 10** **LENS SHIFT arrow buttons**
Each of these buttons moves the lens in the specified direction.
- 11** **FOCUS plus and minus buttons**
Used to move the focus in and out.
- 12** **ZOOM plus and minus buttons**
Used to zoom in and out.

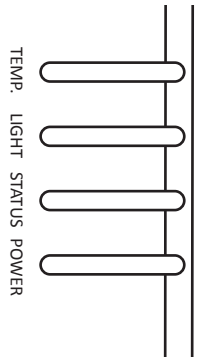
Projector indicators

- TEMP. Off = no problem
Flashing red = temperature error

- LIGHT Off = light is switched off
Flashing red (cycle of single flashes) = failed to light up during power up
Flashing red (cycles of double flashes) = light source failed while projector is on
On, green = light is switched on

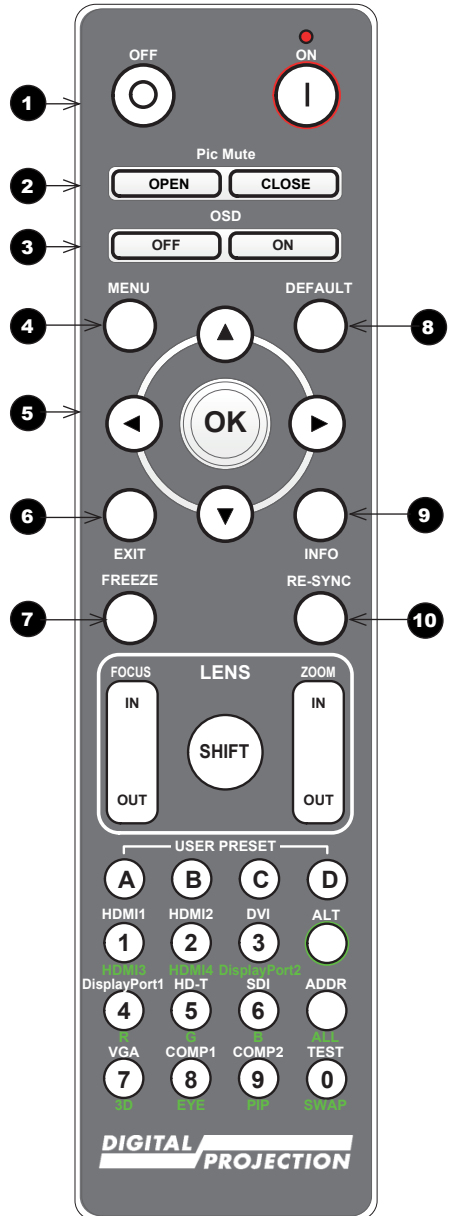
- STATUS Off = no error
Flashing red (cycle of single flashes) = cover error
Flashing red (cycles of double flashes) = TEC/Color sensor problem
Flashing red (cycles of four flashes) = fan error
On, red = system error

- POWER Off = the projector is switched off
Flashing green = the projector is powering up
Flashing amber = the projector is cooling down to standby mode
Flashing red = the projector is preparing to enter network standby mode
On, green = the projector is switched on
On, amber = the projector is in network standby mode
On, red = the projector is in superECO standby mode



Remote Control Reference

- 1 Power ON/OFF**
Turns the projector on and off. To turn the projector off, press the OFF button twice within five seconds.
- 2 Pic Mute OPEN / CLOSE**
Shows and hides the projected image.
- 3 OSD ON / OFF**
Enables and disables screen timeout messages and showing the OSD during projection.
- 4 MENU**
Access the projector OSD (on-screen display). If the OSD is open, press this button to go back to the previous menu.
- 5 Navigation (arrows and OK)**
Navigate through the menus with the arrows, confirm your choice with **OK**. In lens adjustment modes, the arrows are used to move, zoom or focus the lens. See **11** below. In lens adjustment modes, or when the OSD is not showing, the **OK** button switches between modes: **Shift Adjustment** and **Zoom / Focus Adjustment**.
- 6 EXIT**
Close the current OSD page and return to the level above.
- 7 FREEZE**
Freeze the current frame.
- 8 DEFAULT**
Restore default settings.
- 9 INFO**
Access information about the projector.
- 10 RE-SYNC**
Re-synchronise with the current input signal.



- 11** **LENS adjustment**
FOCUS IN / OUT: adjust focus.
SHIFT: press and hold this button, then use the Navigation arrow buttons to move the lens.
ZOOM IN / OUT: adjust zoom.

- 12** **USER PRESET A, B, C, D**
 Load user presets.

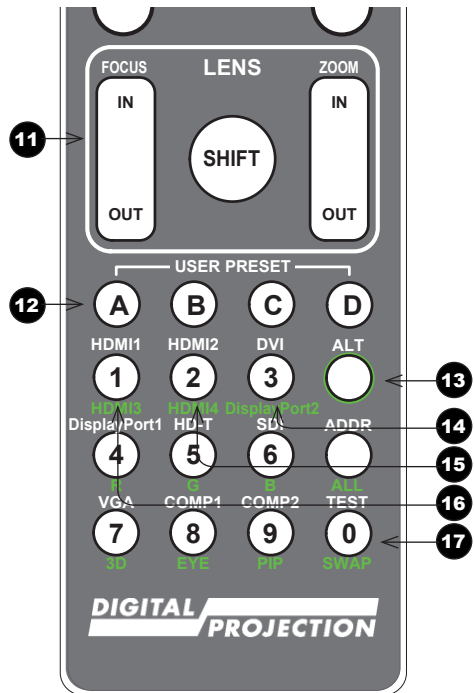
- 13** **ALT**
 Press and hold this button to access alternative functions for all buttons with a green label.

- 14** **DVI / DisplayPort2 / numeric input 3**
 There is no DVI input on this projector.
 Use with **ALT** to switch to the DisplayPort 2 input.

- 15** **HDMI 2 / HDMI 4 / numeric input 2**
 Select the HDMI 1 input.
 There is no HDMI 4 input on this projector.

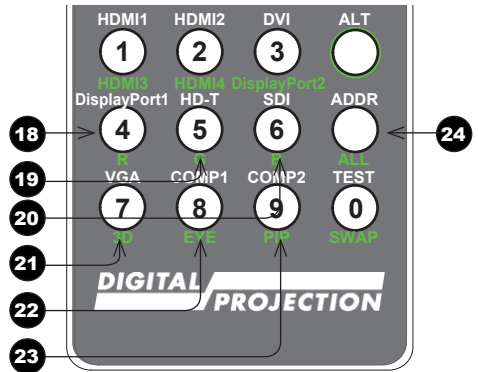
- 16** **HDMI 1 / HDMI 3 / numeric input 1**
 Select the HDMI 1 input.
 There is no HDMI 3 input on this projector.

- 17** **TEST / SWAP / numeric input 0**
 Show a test pattern. Press again to show the next test pattern:
...Off, White, Black, Red, Green, Blue, CheckerBoard, CrossHatch, V Burst, H Burst, ColorBar...



*This projector does not use the following options on the remote:
 DVI, VGA, COMP 1 and COMP 2.*

- 18** **DisplayPort1 /R/ numeric input 4**
Select the DisplayPort 1 input.
- 19** **HD-T /G/ numeric input 5**
Select the HDBaseT input.
- 20** **SDI /B/ numeric input 6**
Select the 3G-SDI input.
- 21** **VGA /3D/ numeric input 7**
There is no VGA input on this projector.
Use with **ALT** to toggle the **3D Format** setting between **Off** and **Auto**.
- 22** **COMP1 /EYE/ numeric input 8**
There is no Component 1 input on this projector.
Use with **ALT** to switch between left and right eye 3D dominance.
- 23** **COMP2 /PIP/ numeric input 9**
There is no Component 2 input on this projector.
Use with **ALT** to toggle the PIP window on and off.
- 24** **ADDR / ALL**
Assign and unassign an IR remote address.



To assign an address:

1. Press and hold this button until the indicator starts flashing.
2. Release this button and while the indicator is still flashing, enter a two-digit address using the numeric input buttons. The indicator will flash three times quickly to confirm the change.

To unassign an address and return to the default address 00,

- Press and hold **ALT** and this button simultaneously until the indicator flashes to confirm the change.



This projector does not use the following options on the remote:

DVI, VGA, COMP 1 and COMP 2.